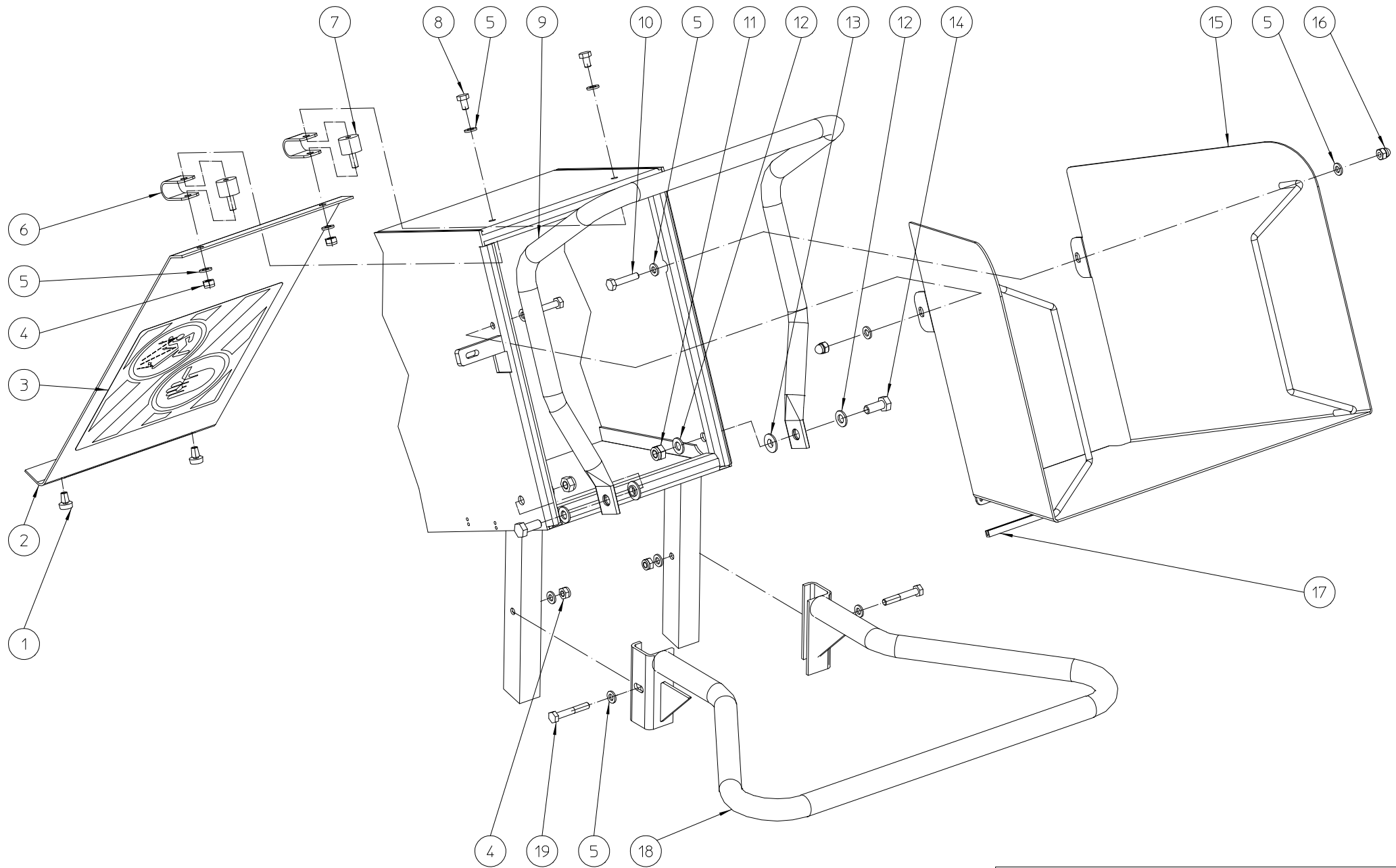


ELIET MINOR -- GENERAL					
NO	MMA 01 030 100	REV	2	DATE	2010/10/07

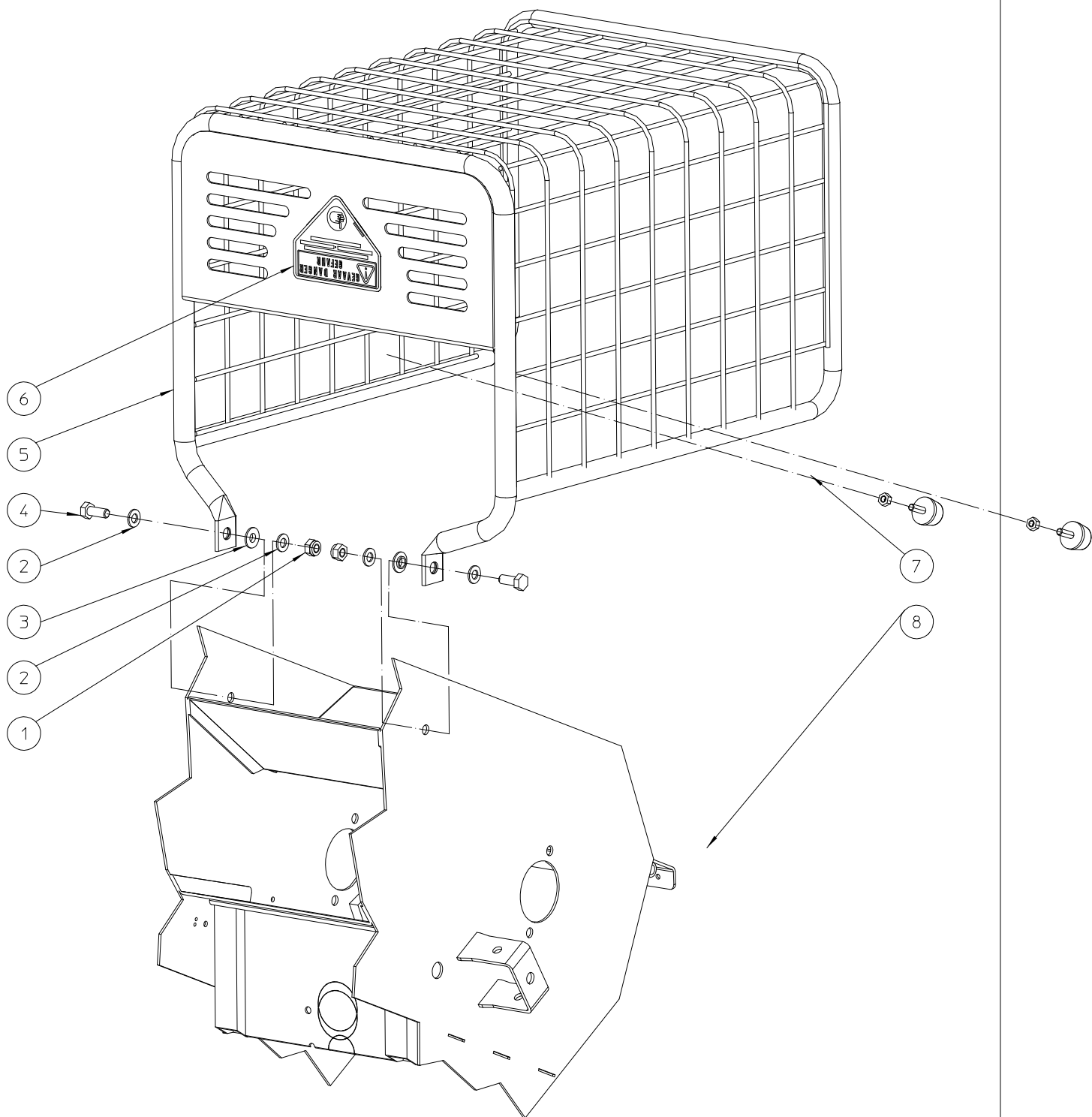
#	Order nr	article description	quantity
1	MMA 01 030 110	machine front side	1
2	MMA 01 030 120	safety guard	1
3	MMA 01 030 130	chassis	1
4	MMA 01 030 140	machine rear side	1
5	MMA 01 030 150	rotor	1
6	MMA 01 030 160	transmission	1
7	MMA 01 030 170	electrical system	1
8	MMA 01 030 180	accessories	1



ELIET MINOR -- MACHINE FRONT SIDE

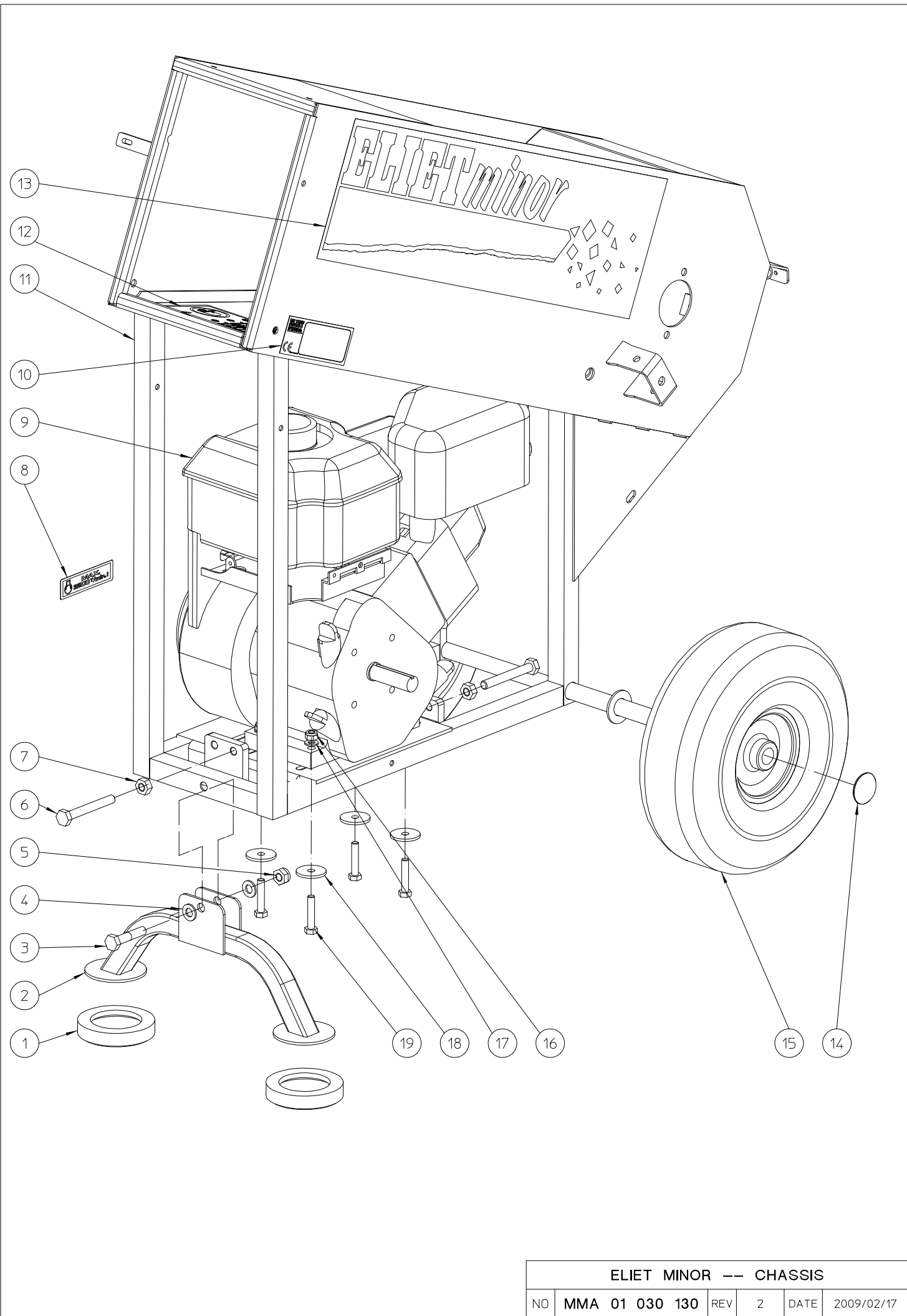
NO	MMA 01 030 110	REV	2	DATE	2009/02/11
----	----------------	-----	---	------	------------

#	Order nr	article description	quantity
1	BR 602 006 151	rubber bumper	2
2	MPA 01 030 060	anti projection shield	1
3	BQ 505 010 080	safety sticker 200x175	1
4	BS 502 000 600	self locking nut m6 din 985	4
5	BS 531 000 600	washer m6 din 125	12
6	BR 910 000 020	retainer ertalon 80x20x2	2
7	BR 600 220 150	antivibration blocks 20x15b m6x15	2
8	BS 512 000 610	bolt m6x10 din 933	2
9	MPA 01 030 030	safety handle	1
10	BS 512 000 630	bolt m6x30 din 933	2
11	BS 502 000 800	self locking nut m8 din 985	2
12	BS 531 000 800	washer m8 din 125	4
13	BR 112 080 300	nylon bushing with collar (8.2/10.9/18x3.5/1.5)	2
14	BS 512 000 820	bolt m8x20 din 933	2
15	MPA 01 030 050	hopper	1
16	BS 505 500 600	nut m6 din 1587	2
17	BR 000 910 160	rubber u-moulding 160mm	1
18	MPA 01 030 020	steering bracket	1
19	BS 511 000 640	bolt m6x40 din 931	2



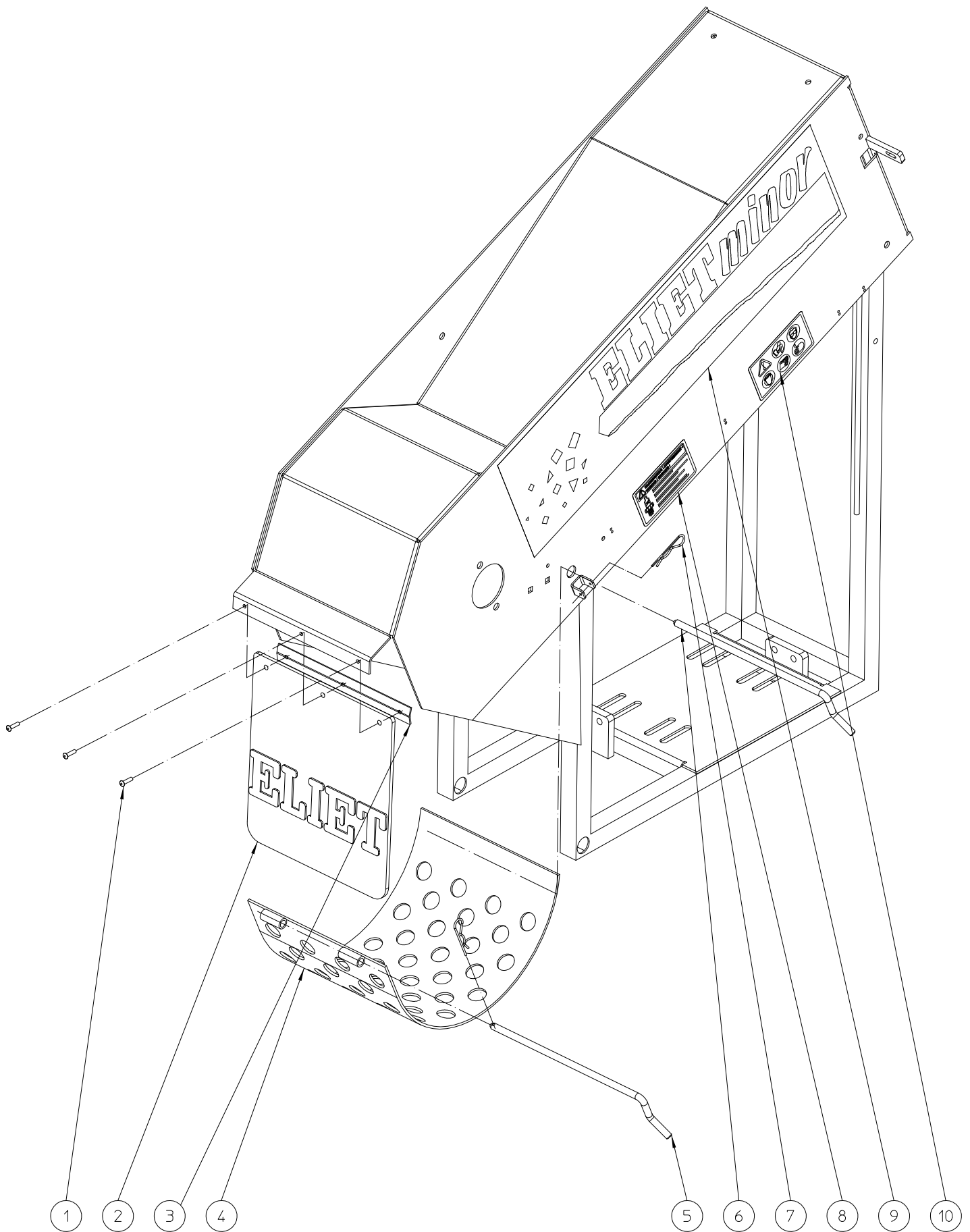
ELIET MINOR -- SAFETY GUARD				
NO	MMA 01 030 120	REV	2	DATE
				2011/07/14

#	Order nr	article description	quantity
1	BS 502 000 800	self locking nut m8 din 985	2
2	BS 531 000 800	washer m8 din 125	4
3	BR 112 080 300	nylon bushing with collar (8.2/10.9/18x3.5/1.5)	2
4	BS 512 000 820	bolt m8x20 din 933	2
5	MPA 01 030 071	rear safety guard - 2009	1
6	BQ 505 010 070	safety sticker 100x80 (hand cuts)	1
7	BR 600 425 170	antivibration blocks 25x17b m6x18	2
8	BS 501 000 600	nut m6 din 934	2



ELIET MINOR -- CHASSIS					
NO	MMA 01 030 130	REV	2	DATE	2009/02/17

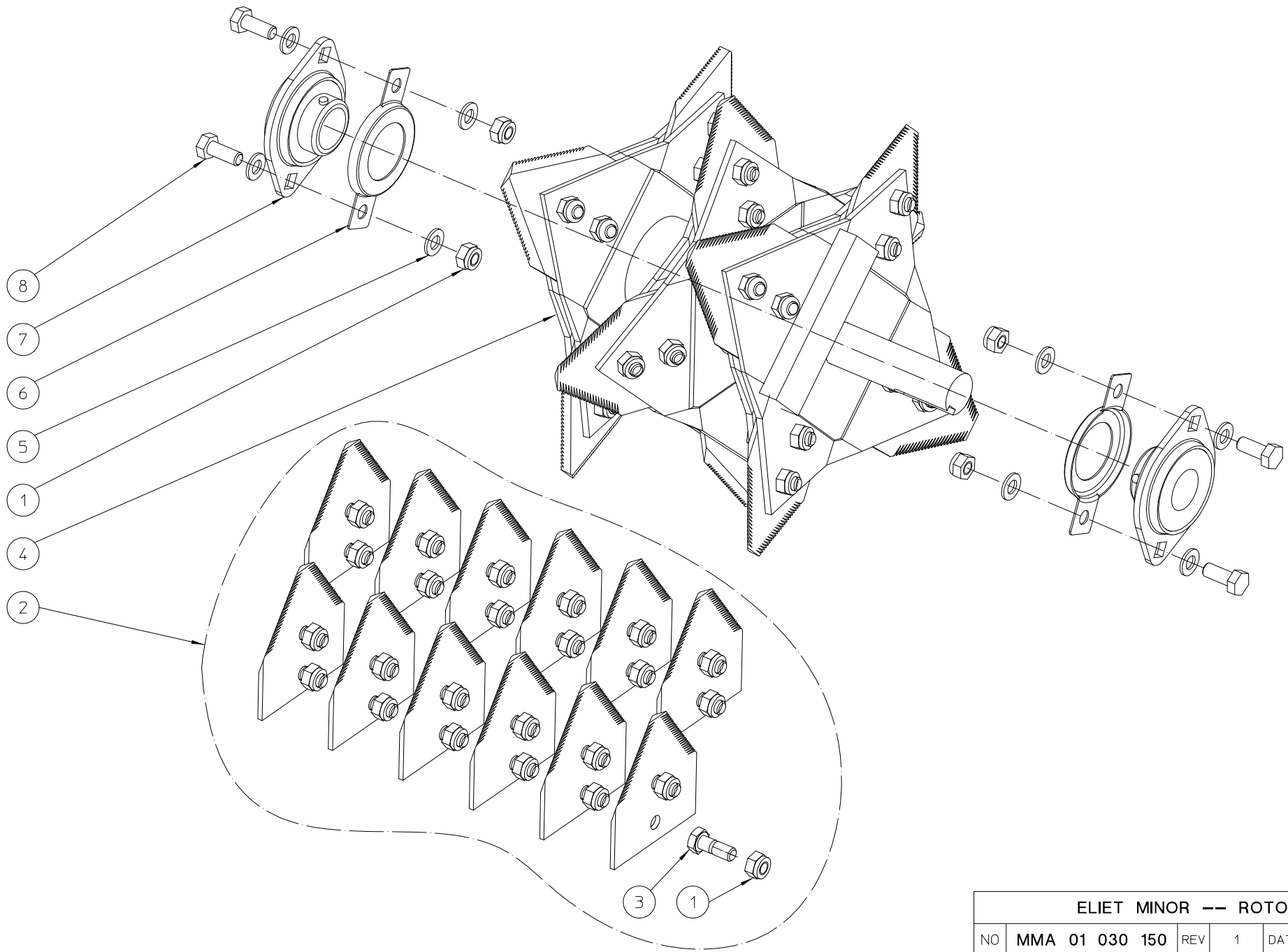
#	Order nr	article description	quantity
1	BR 900 000 110	rubber socks dia 90x18mm	2
2	MPA 01 030 010	foot	1
3	BS 511 001 042	bolt m10x50 din 931	1
4	BS 531 001 000	washer m10 din 125	2
5	BS 502 001 000	self locking nut m10 din 985	1
6	BS 512 001 048	bolt m10x80 din 933	2
7	BS 501 001 000	nut m10 din 934	2
8	BQ 505 010 030	sticker max 3200 rpm 90x25	1
9	BM 202 005 500	honda gc 160	1
10	BQ 505 010 010	identity sticker ce 120x30	0
11	MPA 01 030 040	chassis	1
12	BQ 505 010 110	safety sticker 190x125 (in feed)	1
13	BQ 501 030 020	sticker eliet minor 590x180 (r)	1
14	BB 011 000 200	starlock 20mm	2
15	BW 029 020 000	wheel 4.00-4	2
16	BS 502 000 800	self locking nut m8 din 985	4
17	BS 531 000 800	washer m8 din 125	4
18	BS 532 008 356	washer m8x35x3	4
19	BS 512 000 840	bolt m8x40 din 933	4



ELIET MINOR -- MACHINE REAR SIDE

NO	MMA 01 030 140	REV	2	DATE	2009/02/12
----	----------------	-----	---	------	------------

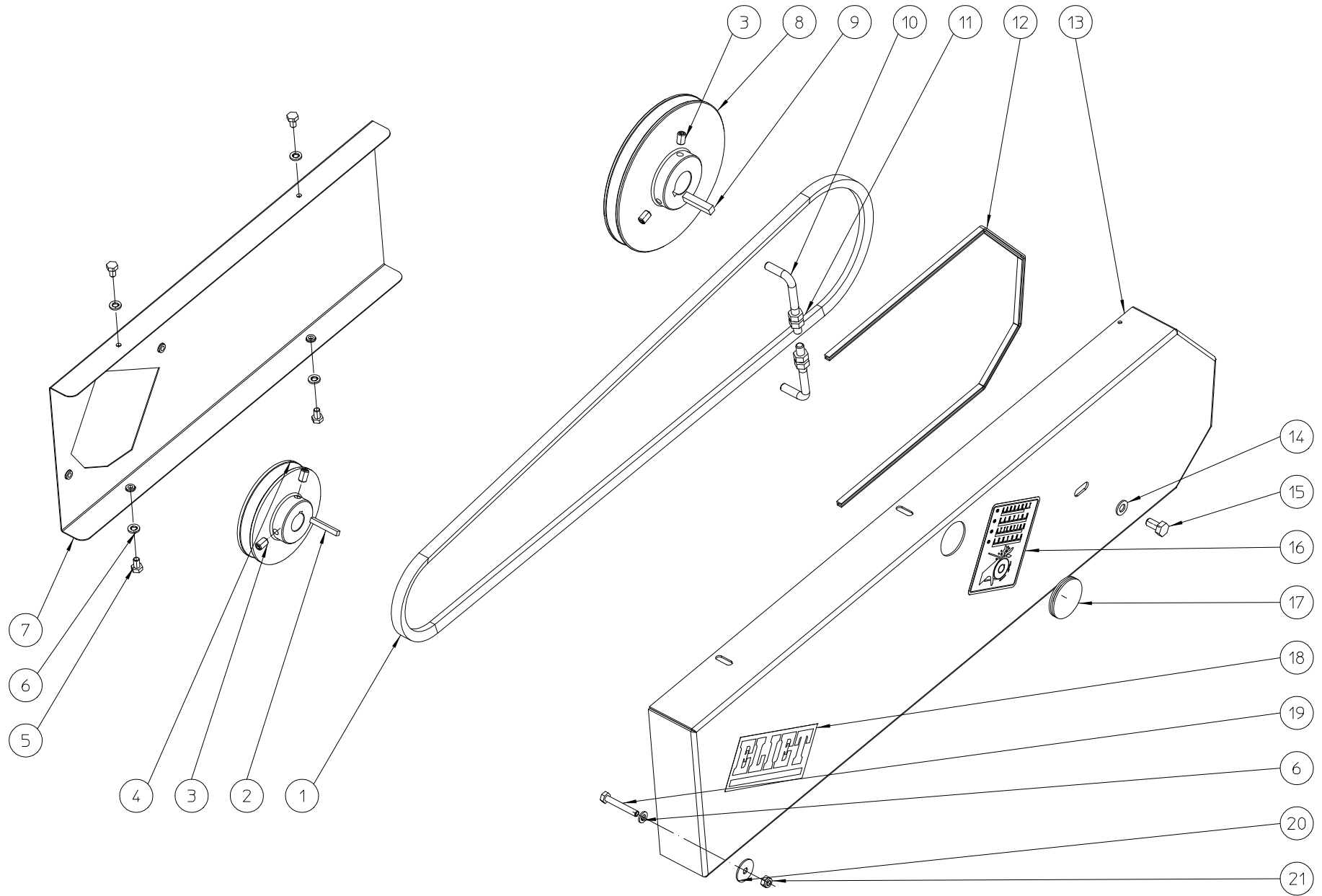
#	Order nr	article description	quantity
1	BB 221 104 160	pop plug alu 3.9x16 din 7337 a	3
2	BR 900 001 020	rubber anti projection flap	1
3	MPA 01 030 090	retainer for rubber rubber flap	1
4	MPA 01 030 100	standard grating	1
5	MPA 01 030 140	locking rod with hole	1
6	MPA 01 030 130	locking rod without hole	1
7	BB 040 102 040	hairpin cotter 2mm din 11024	2
8	BQ 505 010 040	safety sticker 60x100 (spark plug)	1
9	BQ 501 030 010	sticker eliet minor 590x180 (I)	1
10	BQ 505 010 050	safety sticker 60x100 (pictogram)	1



ELIET MINOR -- ROTOR

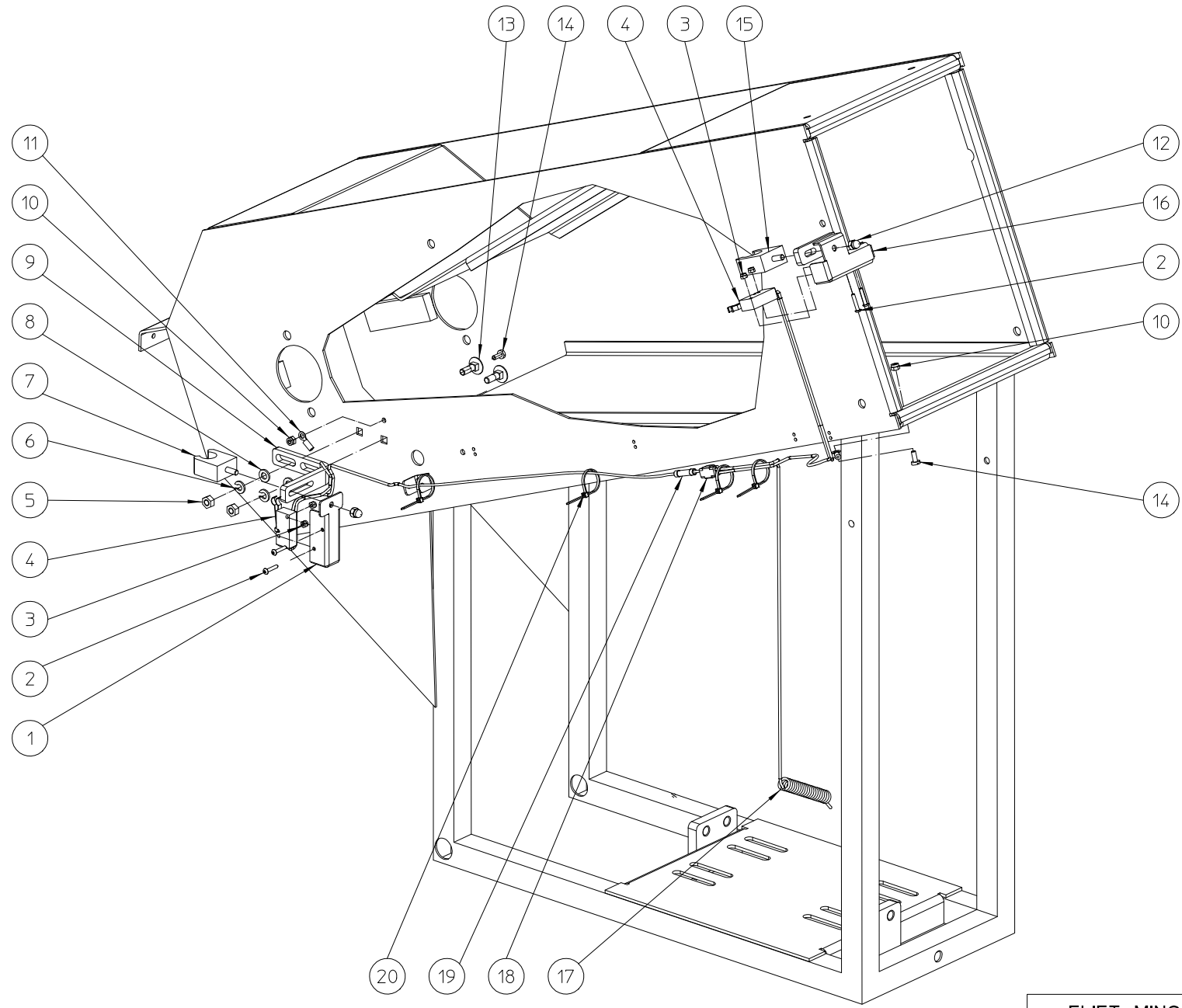
NO	MMA 01 030 150	REV	1	DATE	2009/11/26
----	----------------	-----	---	------	------------

#	Order nr	article description	quantity
1	BS 502 000 800	self locking nut m8 din 985	4
2	BU 401 200 301	set of knives (12)	1
3	BS 011 000 822	bolt m8x22 din 931	0
4	MPA 01 030 500	rotor	1
5	BS 531 000 800	washer m8 din 125	8
6	MPA 01 010 020	bearing protection cover 205	2
7	BL 801 102 500	bearing + flanges aspfl 205	2
8	BS 512 000 820	bolt m8x20 din 933	4



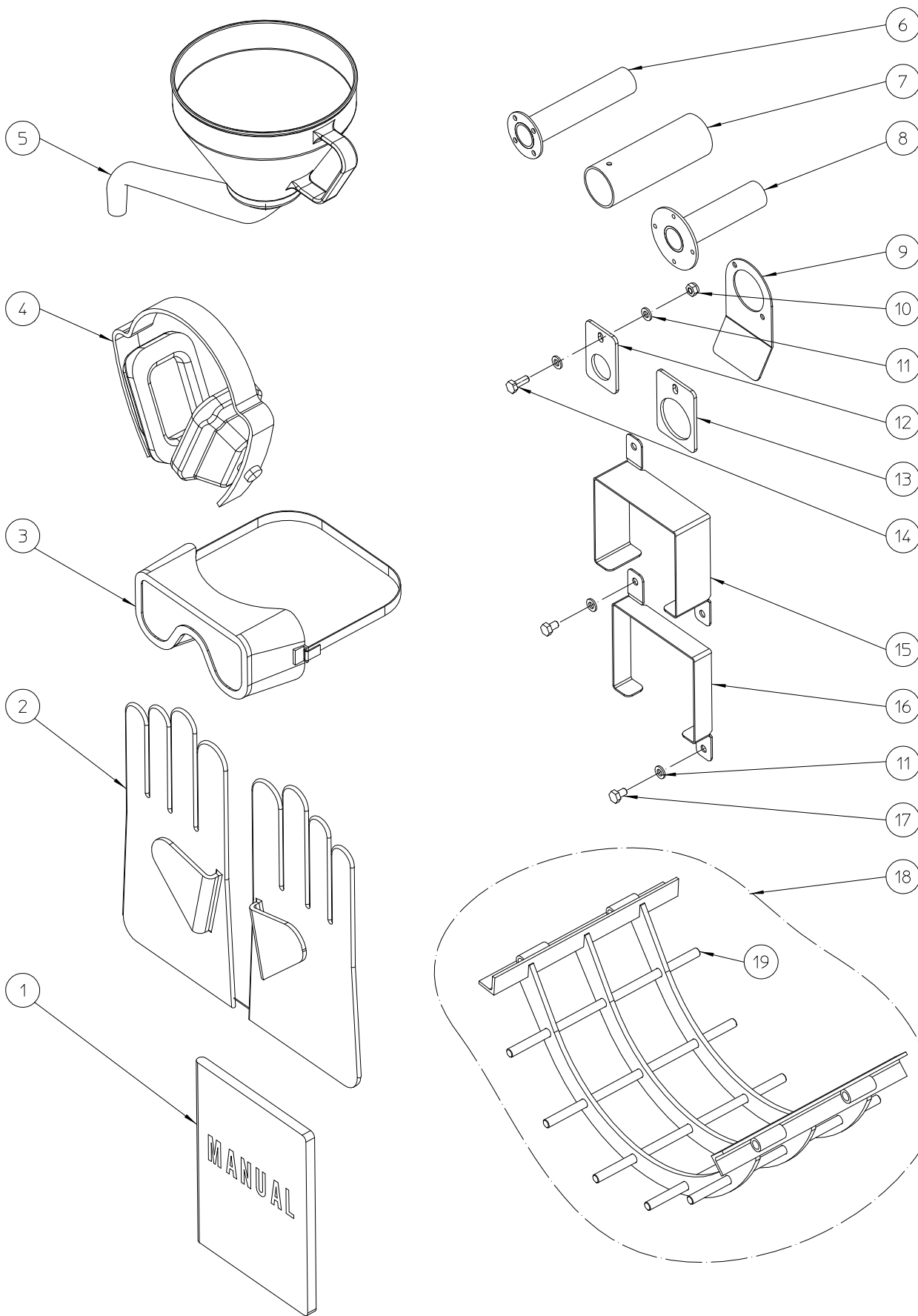
ELIET MINOR -- TRANSMISSION					
NO	MMA 01 030 160	REV	1	DATE	2010/10/07

#	Order nr	article description	quantity
1	BA 521 216 000	belt xpa 1600	1
2	BB 342 050 535	key 4.7x4.7x35 din 6880	1
3	BS 023 000 812	set screw m8x12 din 916	4
4	BA 565 710 002	pulley spa 100x19.05x4.7 (engine)	1
5	BS 512 000 610	bolt m6x10 din 933	4
6	BS 531 000 600	washer m6 din 125	5
7	MPA 01 030 120	transmission guard (inside)	1
8	BA 565 716 001	pulley spa 160x25x8 (rotor)	1
9	BB 341 080 740	key 8x7x40 din 6880	1
10	MPA 01 010 180	belt catcher	2
11	BS 501 000 800	nut m8 din 934	4
12	BR 000 910 600	rubber u-moulding 600mm	1
13	MPA 01 030 110	transmission guard (outside)	1
14	BS 531 000 800	washer m8 din 125	1
15	BS 512 000 816	bolt m8x16 din 933	1
16	BQ 505 010 130	safety sticker 100x80 (belt transmission)	1
17	BR 500 103 800	rubber plug 42x38x1.6	1
18	BQ 501 010 020	sticker eliet 130x60	1
19	BS 512 000 640	bolt m6x40 din 933	1
20	BS 532 006 253	washer m6x25x1.5	1
21	BS 502 000 600	self locking nut m6 din 985	1



ELIET MINOR -- ELECTRICAL SYSTEM				
NO	MMA 01 030 170	REV	2	DATE 2009/02/17

#	Order nr	article description	quantity
1	MPA 01 010 210	cover for safety switch	1
2	BS 522 500 316	screw m3x16 iso 7380	4
3	BS 502 000 300	self locking nut m3 din 985	4
4	BE 120 010 500	safety switch	2
5	BS 501 000 600	nut m6 din 934	2
6	BS 533 000 600	lock washer m6 din 127b	2
7	BT 654 001 601	clam 16mm	1
8	BS 531 000 600	washer m6 din 125	2
9	MPA 01 010 220	bracket for safety switch	1
10	BS 502 000 400	self locking nut m4 din 985	2
11	BE 031 013 000	eyed terminal m6	2
12	BS 505 500 500	nut m5 din 1587	2
13	BS 554 100 620	bolt m6x20 din 603	2
14	BS 541 000 410	screw m4x10 din 84	2
15	BT 654 001 901	clam 19mm	1
16	MPA 01 010 200	cover for safety switch	1
17	BE 090 231 041	red wire 1.5 ce 104	1
18	BE 031 034 201	blue wire connector 2.5mm	1
19	BE 031 013 400	cable connexion red	1
20	BE 043 010 100	wrap tie 100x2.5	4



ELIET MINOR -- ACCESSORIES					
NO	MMA 01 030 180	REV	1	DATE	2009/10/13

#	Order nr	article description	quantity
1	BZ 201 030 010	manual minor	1
2	BQ 710 050 000	gloves	1
3	BQ 720 050 000	goggles	1
4	BQ 700 050 000	hearing protectors	1
5	BG 900 010 502	funnel	1
6	MPA 01 010 130	muffler pipe 6.0 hp vanguard	1
7	MPA 01 010 120	muffler pipe 6.5 hp b&s intek pro	1
8	MPA 01 010 070	muffler pipe 5.5 hp honda gx 160	1
9	BM 262 000 100	deflector honda gc 135 - gc 160	1
10	BS 502 000 600	self locking nut m6 din 985	1
11	BS 531 000 600	washer m6 din 125	4
12	MPA 01 010 050	brace for muffler pipe	1
13	MPA 01 010 051	brace for muffler pipe 6.5 ch b&s intek pro	1
14	BS 512 000 616	bolt m6x16 din 933	1
15	MPA 01 010 160	crankshaft guard 27mm	1
16	MPA 01 010 150	crankshaft guard 20mm	1
17	BS 512 000 610	bolt m6x10 din 933	2
18	MA 002 001 001	grating for leaves	1
19	MPA 01 030 560	rod for grating for leaves	0